

# AG160



Subject to technical changes

Framo Morat GmbH & Co. KG  
Höchst 7 • D-79871 Eisenbach

Tel.: +49 (0) 7657 / 88-0  
Fax: +49 (0) 7657 / 88-333

[www.framo-morat.com](http://www.framo-morat.com)  
[info@framo-morat.com](mailto:info@framo-morat.com)

**3-phase motors - 3x230/400V-50Hz**

Output speed $n_2$ rpm	Output torque Nm	Transmission ratio	Motor speed $n_1$ rpm	Motor output kW	Self-locking	Limit switch range Output rotation
	ED 60%		ED 60%			
8,30	720	339 : 1	2800	1,10	So	45
5,70	960	490 : 1	2800	1,10	So	45
3,70	1400	764 : 1	2800	1,10	So	45
2,90	1600	490 : 1	1400	0,60	So	45
1,80	1530	764 : 1	1400	0,60	So	45
0,90	1600	3111 : 1	2800	1,10	Sd	45
0,45	1600	3111 : 1	1400	0,60	Sd	45

**Additional output table information:**

\*So = No self-locking

Ss = Static self-locking

Sd = Dynamic self-locking

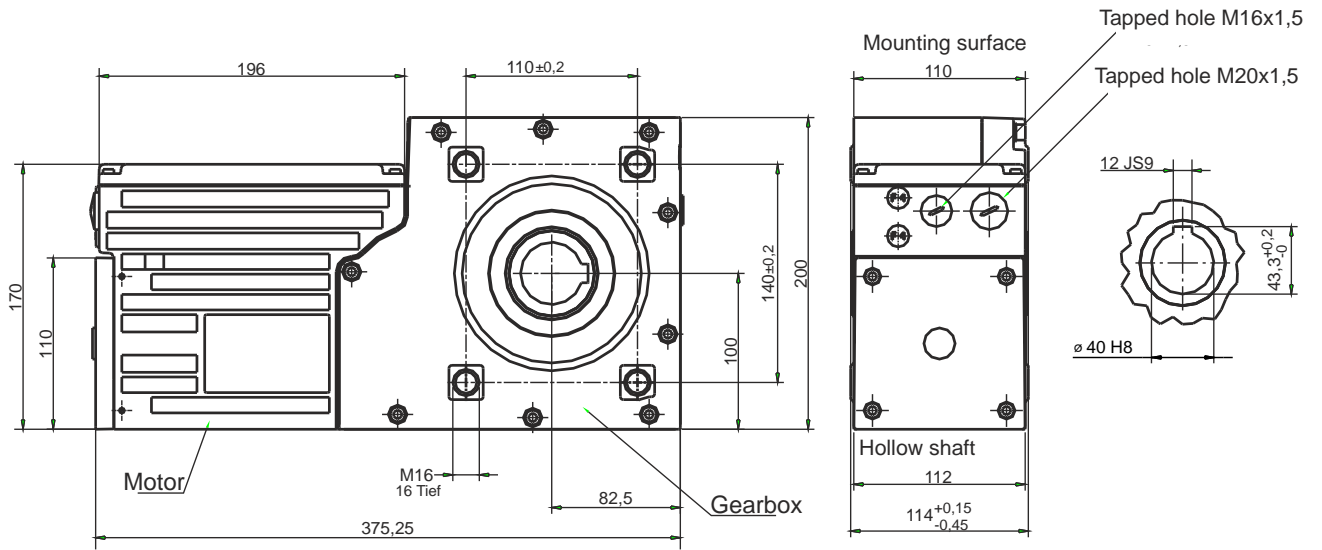
The gear motor can be overloaded by 50% for brief periods.

**Please contact the manufacturer in case of the following operating conditions:**

- Temperatures below 0°C
- Temperatures above 40°C
- Strong vibrations

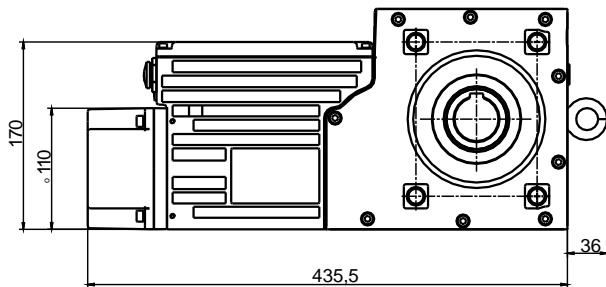
**Dimensions**

**Standard drive with 3-phase motor**

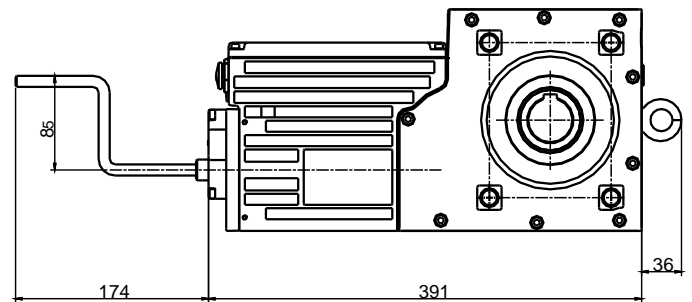


**with solenoid brake (option)**

Limit switch version 2 without power relays (option)  
or terminal box (without switch mechanism)  
(Standard)



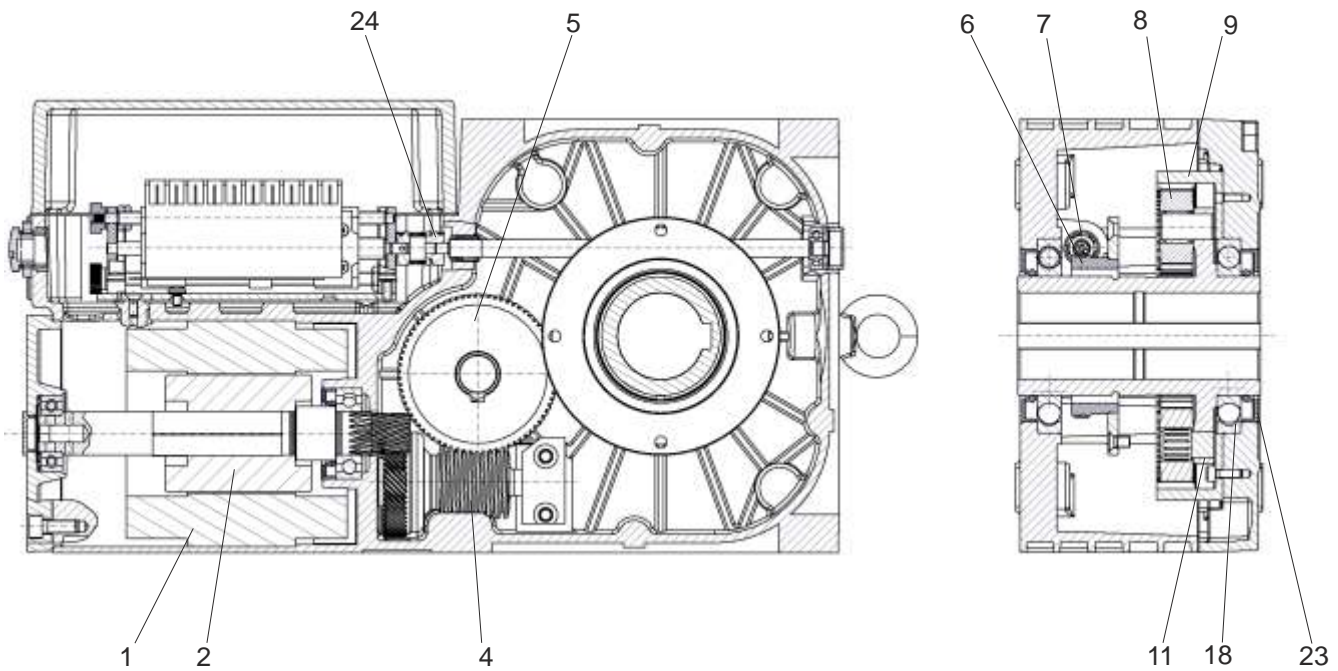
**Hand crank with elec. interlock (option) (removable)**



Some options may be combined

Subject to technical changes

## Spare parts



Item	Designation	Article No.
1	Stator	Serial No.
2	Rotor shaft complete	Serial No.
4	Worm shaft	Serial No.
5	Worm wheel	Serial No.
6	Control wheel	Serial No.
7	Control shaft	Serial No.
8	Planetary gear	6-160-01.06
9	Crown gear	6-160-01.03
11	Carrier disk	6-160-01.04
18	Deep-groove ball bearing	00300101601010
23	Radial shaft seal	00200105072084
24	Clutch	02870600008000

**Spare parts can only be supplied if the serial number is stated**

Subject to technical changes