

MR6



Subject to technical changes

Framo Morat GmbH & Co. KG
Höchst 7 • D-79871 Eisenbach

Tel.: +49 (0) 7657 / 88-0
Fax: +49 (0) 7657 / 88-333

www.framo-morat.com
info@framo-morat.com

3-phase motors - 3x230/400V-50Hz

| Output speed n_2 rpm | Output torque Nm (30% duty cycle) | Transmission ratio | Motor speed n_1 rpm | Motor output kW | Self-locking | Max. limit switch range output rotation |
|---------------------------|--------------------------------------|-----------------------|--------------------------|--------------------|--------------|--|
| 100 | 10,5 | 27:1 | 2700 | 0,22 | So * | 275 |
| 80 | 13 | 34:1 | 2700 | 0,22 | So * | 275 |
| 67 | 15 | 40:1 | 2700 | 0,22 | So * | 184 |
| 54 | 19 | 50:1 | 2700 | 0,22 | So * | 184 |
| 34 | 26 | 80:1 | 2700 | 0,22 | So * | 92 |
| 27 | 33 | 100:1 | 2700 | 0,22 | So * | 92 |
| 17 | 40 | 160:1 | 2700 | 0,22 | Ss * | 46 |
| 14 | 50 | 200:1 | 2700 | 0,22 | Ss * | 46 |
| 12 | 44 | 224:1 | 2700 | 0,22 | Sd * | 33 |
| 10 | 55 | 280:1 | 2700 | 0,22 | Sd * | 33 |
| 8 | 60 | 160:1 | 1300 | 0,15 | Ss * | 46 |
| 6 | 60 | 224:1 | 1300 | 0,15 | Sd * | 33 |
| 4,8 | 60 | 280:1 | 1300 | 0,15 | Sd * | 33 |
| 3,6 | 55 | 360:1 | 1300 | 0,15 | Sd * | 21 |
| 2,9 | 55 | 450:1 | 1300 | 0,15 | Sd * | 21 |

Single phase motors - 1x230V-50Hz

| Output speed n_2 rpm | Output torque Nm (15% duty cycle) ** | Transmission ratio | Motor speed n_1 rpm | Motor output kW | Self-locking |
|---------------------------|---|-----------------------|--------------------------|--------------------|--------------|
| 100 | 6,0 | 27:1 | 2700 | 0,09 | So * |
| 80 | 7,5 | 34:1 | 2700 | 0,09 | So * |
| 67 | 8,5 | 40:1 | 2700 | 0,09 | So * |
| 54 | 10,5 | 50:1 | 2700 | 0,09 | So * |
| 34 | 14,5 | 80:1 | 2700 | 0,09 | So * |
| 27 | 18,0 | 100:1 | 2700 | 0,09 | So * |
| 17 | 21,0 | 160:1 | 2700 | 0,09 | Ss * |
| 14 | 26,5 | 200:1 | 2700 | 0,09 | Ss * |
| 12 | 22,0 | 224:1 | 2700 | 0,09 | Sd * |
| 10 | 27,5 | 280:1 | 2700 | 0,09 | Sd * |
| 8 | 33,5 | 160:1 | 1300 | 0,07 | Ss * |
| 6 | 35,0 | 224:1 | 1300 | 0,07 | Sd * |
| 4,8 | 43,5 | 280:1 | 1300 | 0,07 | Sd * |
| 3,6 | 54,0 | 360:1 | 1300 | 0,07 | Sd * |
| 2,9 | 55,0 | 450:1 | 1300 | 0,07 | Sd * |

24V DC Permanentmagnet-Motor

| Output speed n_2 rpm | Output torque Nm | Self-locking | Transmission ratio |
|---------------------------|---------------------|--------------|-----------------------|
| 65 | 7 | So * | 27 : 1 |
| 51,5 | 8,75 | So * | 34 : 1 |
| 44 | 10 | So * | 40 : 1 |
| 35 | 12 | So * | 50 : 1 |
| 22 | 16,5 | So * | 80 : 1 |
| 17,5 | 20,5 | So * | 100 : 1 |
| 11 | 24,5 | So * | 160 : 1 |
| 9 | 30,5 | Ss * | 200 : 1 |
| 8 | 25 | Sd * | 224 : 1 |
| 6 | 31 | Sd * | 280 : 1 |
| 5 | 38,5 | Sd * | 360 : 1 |
| 4 | 47,5 | Sd * | 450 : 1 |

P = 0,12 kW
 $I_N = 10,5$ A
 20% Duty cycle

The output speed of Compacta gear motors with DC motors varies with the output torque.

Additional output table information:

*So = No self-locking
 Ss = Static self-locking
 Sd = Dynamic self-locking

** The stated single-phase torques are operational torques. The starting torque may be only 66% of the stated catalog torque. Please contact the manufacturer in case max. torque is required.

The gear motor can be overloaded by 50% for brief periods. Single-phase AC and DC motors may stall.

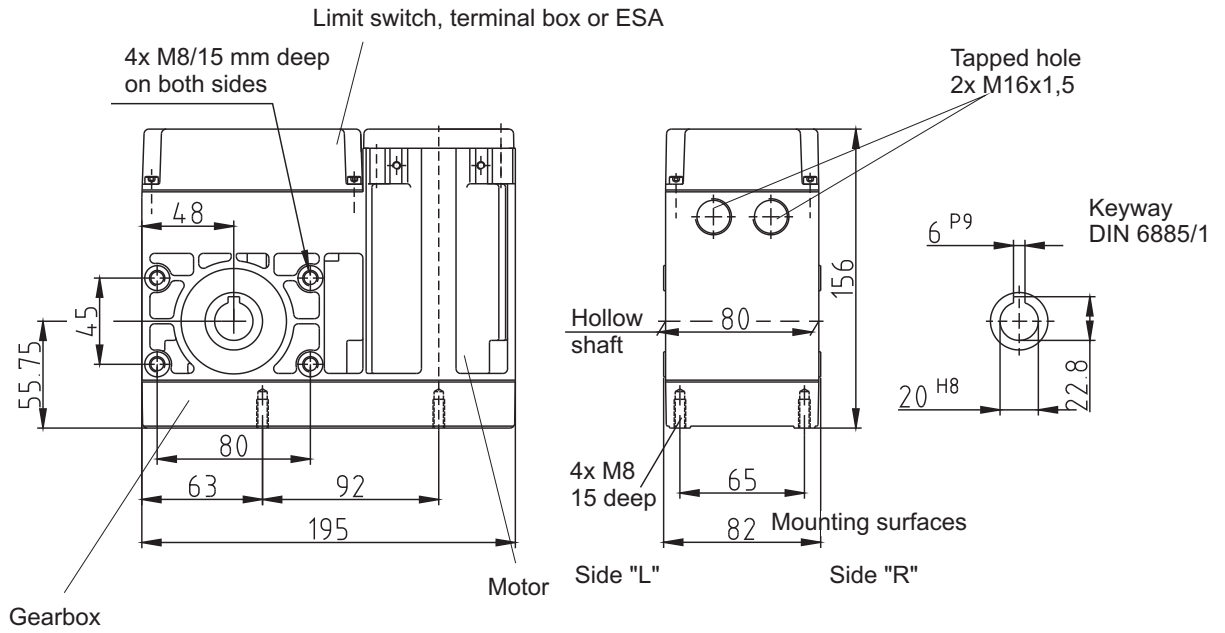
Please contact the manufacturer in case of the following operating conditions:

- Temperatures below 0°C (single-phase AC and DC motors: below 10°C)
- Temperatures above 40°C
- Strong vibrations

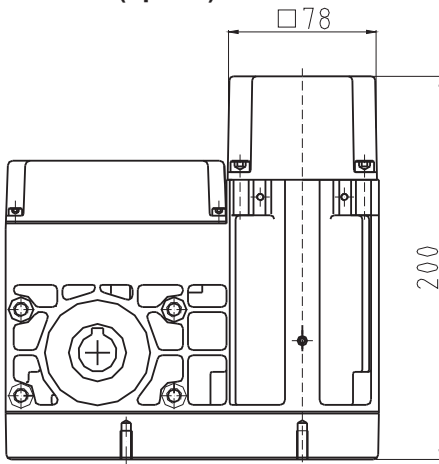
Subject to technical changes

Dimensions

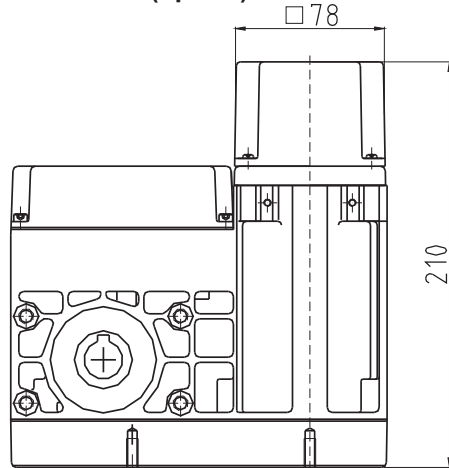
Standard drive with 3-phase and single-phase motors



DC-motor (option)

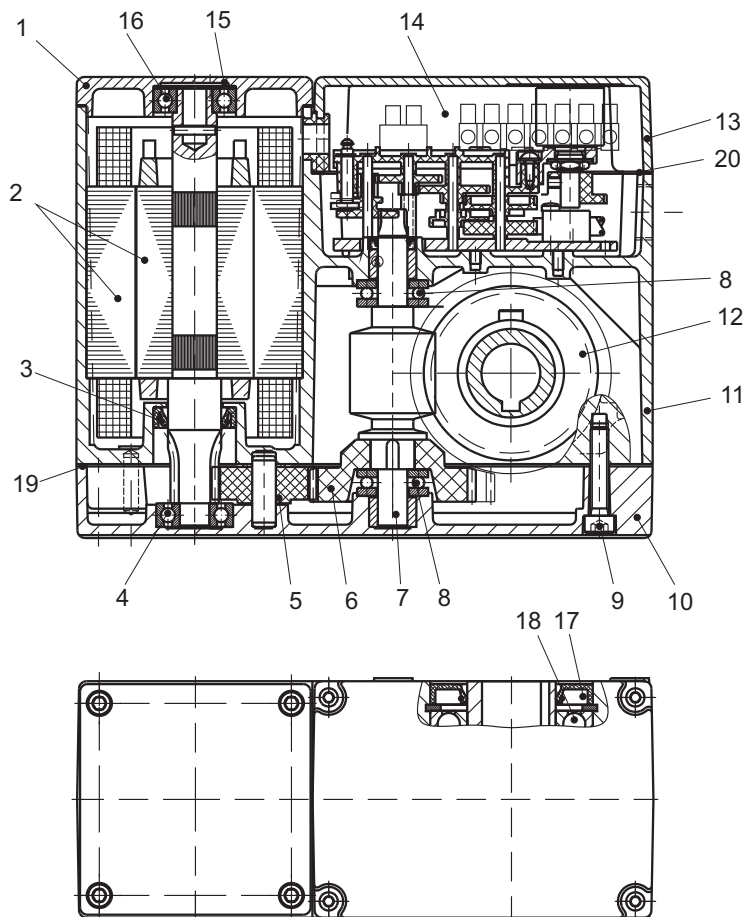


Motor brake (option)



Subject to technical changes

Spare parts



Spare part list

| Item | Designation | Article No. |
|------|--------------------------|----------------|
| 1 | Motor cover | 6-07-320.01 |
| 2 | Rotor + stator | Type No. |
| 3 | Radial shaft seal | 00200101828070 |
| 4 | Deep-groove ball bearing | 00300100600030 |
| 5 | Idler gear | 6-07-01.05 |
| 6 | Spur gear | 6-07-50.01 |
| 7 | Worm shaft | Type No. |
| 8 | Axial bearing | 00300055110010 |
| 9 | Screw | 00010200603021 |
| 10 | Gearbox cover | 6-07-01.02 |
| 11 | Gearbox case | 6-07-01.01 |
| 12 | Worm gear | Type No. |
| 13 | Limit switch cover | 6-07-01.03 |
| 14 | Limit switches compl. | Type No. |
| 17 | Radial shaft seal | 00200103055074 |
| 18 | Deep-groove-ball bearing | 00300101600610 |
| 19 | Cover seal | 6-07-01.06 |
| 20 | Flat seal | 6-07-01.07 |

Spare parts can only be supplied if the serial number is stated

Subject to technical changes