

Connection diagrams



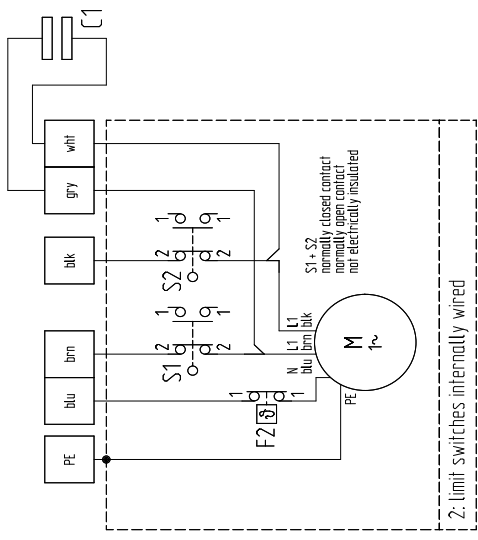
Subject to technical changes

Framo Morat GmbH & Co. KG
Höchst 7 • D-79871 Eisenbach

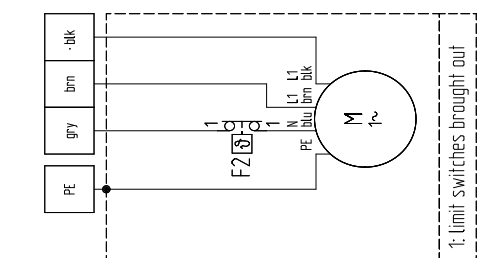
Tel.: +49 (0) 7657 / 88-0
Fax: +49 (0) 7657 / 88-333

www.framo-morat.com
info@framo-morat.com

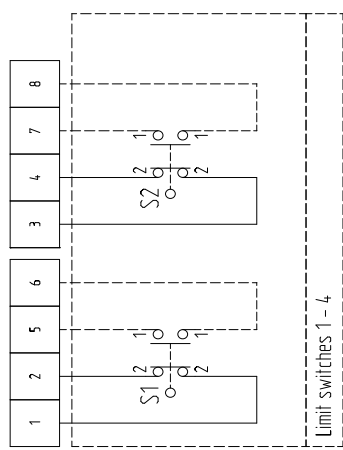
Connection diagram Version AC



Voltage -----



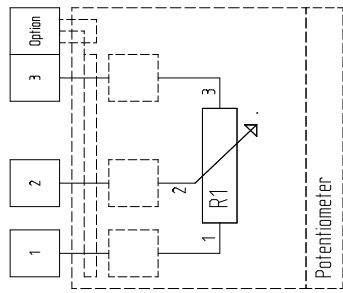
Motor ~230 Volt



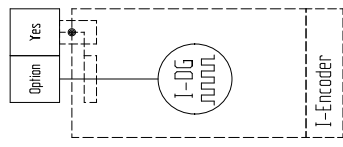
Yes No
Option 1 - 8

Attention!

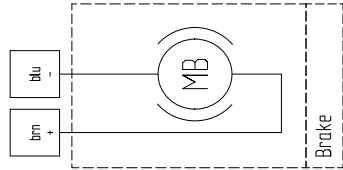
- The relays used must be interlocked
 - F2 = Thermal switch inside motor winding
 - S1 = limit switch for end position forward
 - S2 = limit switch for end position backward
 - C1 = Motor capacitor 1brn-blk / Motor2 gry-wht
- Options:**
- Shielded cables
 - Permanent magnet brake 24 V/DC smoothed
 - Complete brought out limit switches 1 - 8
 - Incremental Encoder / different resolutions on request
 - Potentiometer for actual value / different values on request



Yes No
Resolutions Value -----Ω



Yes No
Resolutions Value -----



Yes No
Voltage -----

Connection data refer to supplement

Subject to technical changes

Connection diagram version D.C. with permanent magnetic field

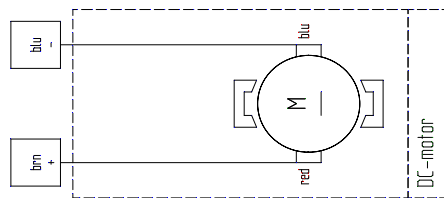
Attention !

The relays used must be interlocked

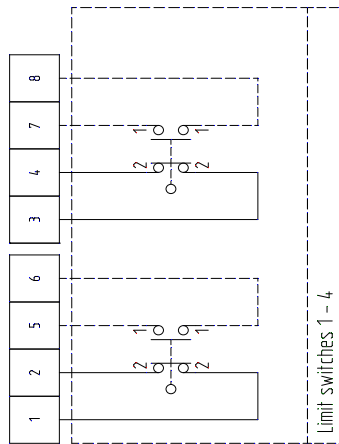
S1 = limit switch for end position forward
 S2 = limit switch for end position backward

Options:

- Shielded cables
- Permanent magnet brake 24 V/DC smoothed
- Complete brought out limit switches 1 - 8
- Incremental Encoder / different resolutions on request
- Potentiometer for actual value / different values on request



24 Volt DC Voltage -----



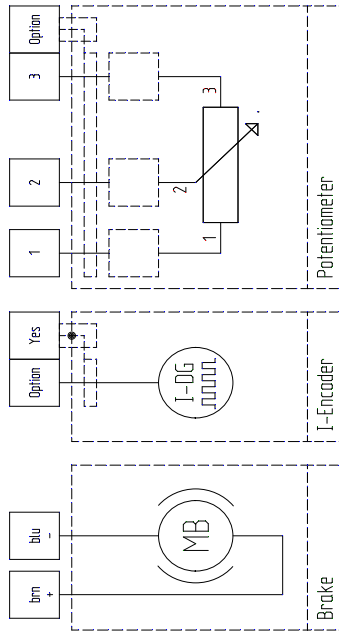
Yes

No

Option 1 - 8

- Yes S1 + S2 normally closed contact
- No normally open contact
- No not electrically insulated

Subject to technical changes



Yes

No

Voltage -----

Yes

No

Resolutions -----

Yes

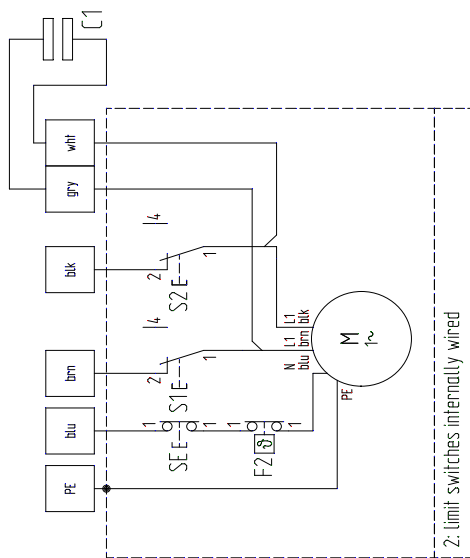
No

Value -----

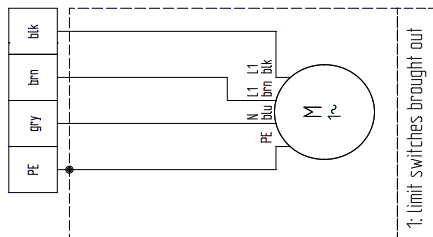
-----Ω

Connection data refer to supplement

48


Linear actuator Mini 01, 1
Connection diagram version A.C.


2: limit switches internally wired



1: limit switches brought out

 Motor ~230 Volt

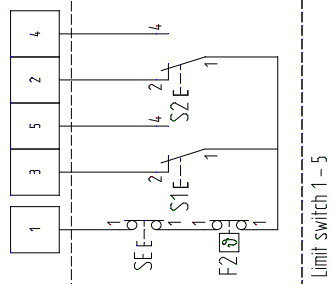
Voltage -----

Attention!

The relays used must be interlocked
 F2 = Thermal switch inside motor winding
 S1 = limit switch for end position forward
 S2 = limit switch for end position backward
 S3 = limit switch for Pressure
 S4 = limit switch for Traction
 SE = Safety limit switch for end position forward / backward
 C1 = Motor capacitor 1 brn-blk / Motor2 gry-wht

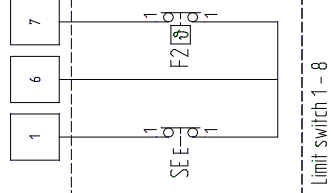
Options:

- Shielded cables
- Spring pressure single disc brake 24 V/DC + 230 V/AC + 400 V/AC
- Complete brought out limit switches 1 - 8
- Incremental Encoder / different resolutions on request
- Potentiometer for actual value / different values on request



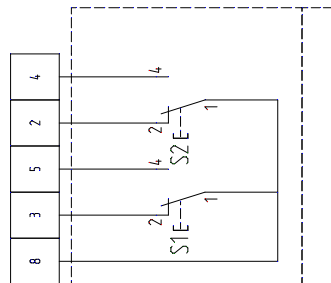
Limit switch 1 - 5

Yes No



Limit switch 1 - 8

Yes No

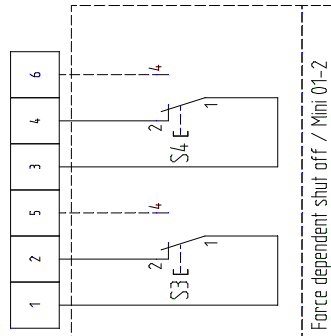


Force dependent shut off / Mini 01-2

Yes No

Option normally open contact

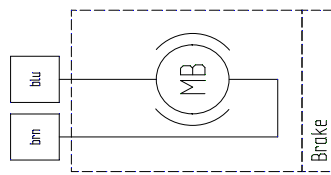
Yes No



Brake

Yes No

Voltage -----

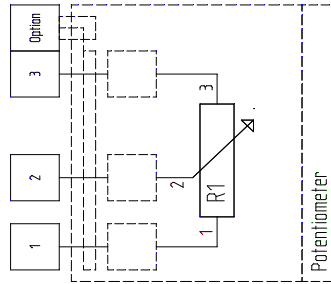


I-Encoder

Yes No

Resolutions -----

Connection data refer to Supplement



Potentiometer

Yes No

Value -----Ω

Subject to technical changes

 Subject to technical changes
Framo Morat GmbH & Co. KG
 Höchst 7 • D-79871 Eisenbach

 Tel.: +49 (0) 7657 / 88-0
 Fax: +49 (0) 7657 / 88-333

 www.framo-morat.com
 info@framo-morat.com

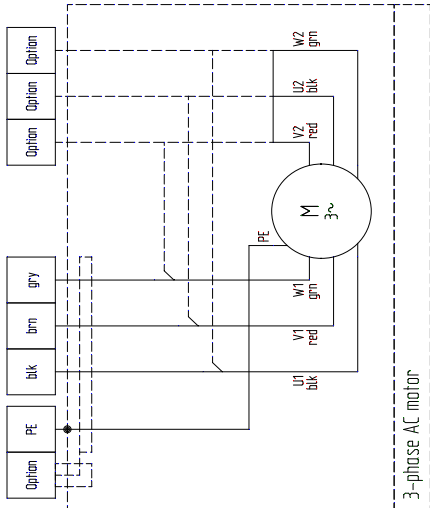
Connection diagram version 3-phase

Attention !

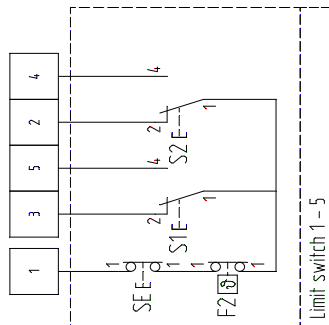
- The relays used must be interlocked
- FZ = Thermal switch inside motor winding
- S1 = limit switch for end position forward
- S2 = limit switch for end position backward
- S3 = limit switch for Pressure
- S4 = limit switch for Traction
- SE = Safety limit switch for end position forward / backward

Options:

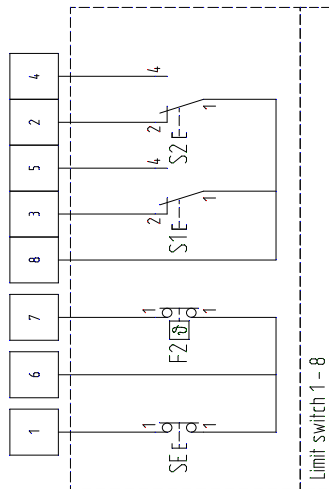
- Shielded cables
- Spring pressure single disc brake 24 V/DC + 230 V/AC + 4,00 V/AC
- Complete brought out limit switches 1 - 8
- Incremental Encoder / different resolutions on request
- Potentiometer for actual value / different values on request



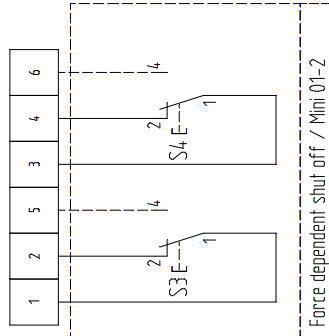
Δ 230 Volt Y 400 Volt Voltage -----



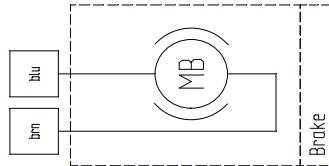
Limit switch 1 - 5
Yes
No



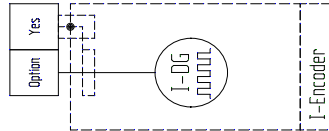
Limit switch 1 - 8
Yes
No



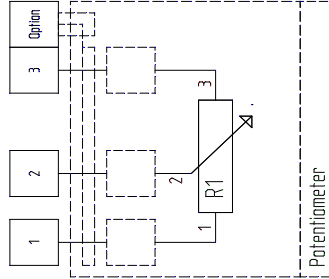
Force dependent shut off / Mint.01-2
Yes
No



Brake
Yes
No
Voltage -----



I-Encoder
Yes
No
Resolutions -----



Potentiometer
Yes
No
Value ----- Ω

Option normally open contact
Yes
No

Connection data refer to supplement

Subject to technical changes